

# Network IR Mini Dome Camera

## ND12T (2M) / ND14T (4M) Series

**Full HD:** 1080P video resolution with H.264 compression

**Smart:** Intelligent motion detection

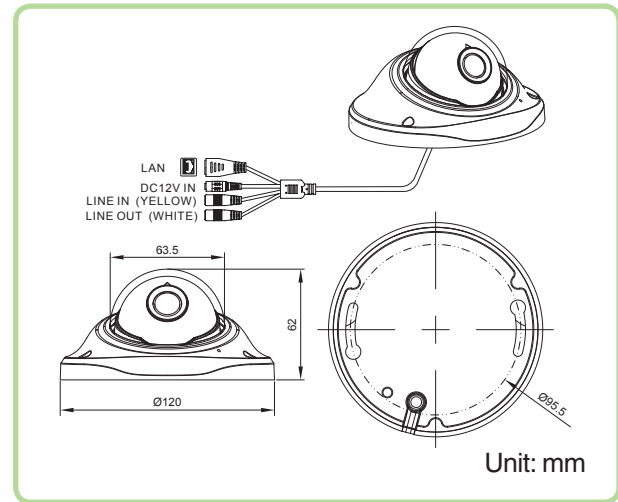
**Easy Install:** Suspended quick installation structure

**Easy Setup:** Full function by IE configuration



### FEATURES

- 3.6mm Fixed Lens
- 0 lux@IR led x 12, range up to 10 meters
- Support auto white balance, auto exposure, auto gain, AES
- Built in IR cut with Day & Night function
- Support pre-recording function
- Support snapshot, remote recording by schedule setting



Function \ Model	2.0 Megapixel Series				4.0 Megapixel Series			
	ND12T	ND12TA	ND12TP	ND12TPA	ND14T	ND14TA	ND14TP	ND14TPA
Audio	-	●	-	●	-	●	-	●
PoE	-	-	●	●	-	-	●	●

### SPECIFICATIONS

Camera	ND12T Series	ND14T Series
Image Sensor	1/2.8", 2.0 MP SONY Exmor CMOS	1/3", 4.0 MP CMOS Sensor
Resolution	HD 1080P (1920 x 1080) SXGA (1280 x 1024)	4M (2560 x 1440) 3M (2304 x 1296) 2M (1920 x 1080)
Frame	Support 1 ~ 25 fps/s adjustable	
Video Processing	H.264 Video encoding, support dual-stream AVI format, code stream 0.1Kpbs ~ 6Mbps	
Minimum Illumination	0.01 Lux@F1.2, 0 Lux with IR	
Shutter Speed	1/3s ~ 1/10,000s	
Lens	3.6mm Fixed Lens	
Day & Night	ICR	
BLC Support	Support	
DNR	3D DNR	
WDR	Digital WDR	
Privacy Mask	Yes	
<b>Function</b>		
P2P	Support (QR Code)	
Password Protection	Support	

Network Protocol	RTSP/FTP/PPPOE/DHCP/DDNS/NTP/UPnP/ONVIF
Intelligent Alarm	Motion detection, Network disconnect, IP address conflict
System Compatibility	COP, ONVIF
<b>Interface</b>	
Network Interface	RJ45 10/100M Adaptive Ethernet Interface
PoE	Optional (IEEE802.3af)
Audio Processing	Optional (G.711)
Audio-In	1 x RCA
Audio-Out	1 x RCA
<b>General</b>	
IR Leds	12 pcs
IR Range	Up to 10m
Casing	Aluminum
Power Supply	PoE or DC12V
Working Temperature	-10°C ~ 60°C
Working Humidity	90% or less
Weight	315g