

Network IR Mini Dome Camera

ND12T (2M) / ND14T (4M) Series

Full HD: 1080P video resolution with H.265 compression

Smart: Intelligent motion detection

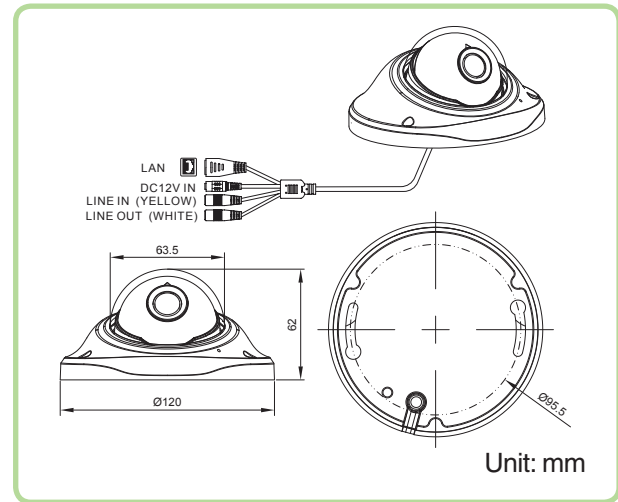
Easy Install: Suspended quick installation structure

Easy Setup: Full function by IE configuration



FEATURES

- 3.6mm Fixed Lens
- 0 lux@IR led x 12, range up to 10 meters
- Support auto white balance, auto exposure, auto gain, AES
- Built in IR cut with Day & Night function
- Support pre-recording function
- Support snapshot, remote recording by schedule setting



| Model / Function | 2.0 Megapixel Series | | | | | | 4.0 Megapixel Series | | | | |
|------------------|----------------------|--------|--------|--------|---------|---------|----------------------|--------|--------|--------|---------|
| | ND12T | ND12TA | ND12TP | ND12TW | ND12TPA | ND12TWA | ND14T | ND14TA | ND14TP | ND14TW | ND14TPA |
| Audio | - | ● | - | ● | ● | ● | - | ● | - | - | ● |
| PoE | - | - | ● | - | ● | - | - | - | ● | - | ● |
| WiFi | - | - | - | - | - | ● | - | - | - | ● | - |
| MicroSD Slot | - | - | - | - | - | - | - | - | - | - | - |

SPECIFICATIONS

| Camera | ND12T Series | ND14T Series |
|----------------------|---|--|
| Image Sensor | 1/2.8", 2.0 MP SONY Exmor CMOS | 1/3", 4.0 MP CMOS Sensor |
| Resolution | HD 1080P (1920 x 1080) SXGA (1280 x 1024) | 4M (2560 x 1440) 3M (2304 x 1296) 2M (1920 x 1080) |
| Frame | Support 1 ~ 25 fps/s adjustable | |
| Video Processing | H.265 Video encoding, support dual-stream AVI format, code stream 0.1Kpbs ~ 6Mbps | |
| Minimum Illumination | 0.01 Lux@F1.2, 0 Lux with IR | |
| Shutter Speed | 1/3s ~ 1/10,000s | |
| Lens | 3.6mm Fixed Lens | |
| Day & Night | ICR | |
| BLC Support | Support | |
| DNR | 3D DNR | |
| WDR | Digital WDR | |
| Privacy Mask | Yes | |
| Function | | |
| P2P | Support (QR Code) | |
| Password Protection | Support | |

| | |
|----------------------|---|
| Network Protocol | RTSP/FTP/PPPOE/DHCP/DDNS/NTP/UPnP/ONVIF |
| Intelligent Alarm | Motion detection, Network disconnect, IP address conflict |
| System Compatibility | COP, ONVIF |
| Interface | |
| Network Interface | RJ45 10/100M Adaptive Ethernet Interface |
| PoE | Optional (IEEE802.3af) |
| Audio Processing | Optional (G.711) |
| Audio-In | 1 x RCA |
| Audio-Out | 1 x RCA |
| General | |
| IR Leds | 12 pcs |
| IR Range | Up to 10m |
| Casing | Aluminum |
| Power Supply | PoE or DC12V |
| Working Temperature | -10°C ~ 60°C |
| Working Humidity | 90% or less |
| Weight | 315g |