

Network High Power IR Bullet Camera

NM22T (2M) / NM24T (4M) Series

Full HD: 1080P video resolution with H.264 compression

Smart: Intelligent motion detection

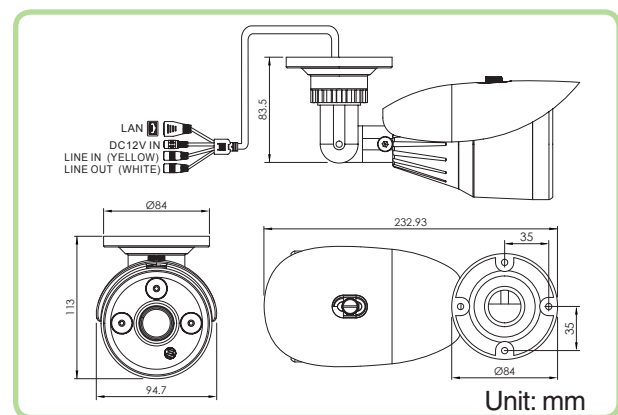
Easy Install: Suspended quick installation structure

Easy Setup: Full function by IE configuration



FEATURES

- 4mm Fixed Lens
- 0 lux@High power IR led x 3, range up to 40 meters
- Support white balance, auto exposure, auto gain, AES
- Built in IR cut with Day & Night function
- Support pre-recording function
- Support snapshot, remote recording by schedule setting
- IP66 water proof



Function \ Model	2.0 Megapixel Series				4.0 Megapixel Series			
	NM22T	NM22TA	NM22TP	NM22TPA	NM24T	NM24TA	NM24TP	NM24TPA
Audio	-	●	-	●	-	●	-	●
PoE	-	-	●	●	-	-	●	●

SPECIFICATIONS

Camera	NM22T Series	NM24T Series
Image Sensor	1/2.8", 2.0 MP SONY Exmor CMOS	1/3", 4.0 MP CMOS Sensor
Resolution	HD 1080P (1920 x 1080) SXGA (1280 x 1024)	4M (2560 x 1440) 3M (2304 x 1296) 2M (1920 x 1080)
Frame	Support 1 ~ 25 fps/s adjustable	
Video Processing	H.264 Video encoding, support dual-stream AVI format, code stream 0.1Kpbs ~ 6Mbps	
Minimum Illumination	0.01 Lux@F1.2, 0 Lux with IR	
Shutter Speed	1/3s ~ 1/10,000s	
Lens	4mm Fixed Lens	
Day & Night	ICR	
BLC Support	Support	
DNR	3D DNR	
WDR	Digital WDR	
Privacy Mask	Yes	
Function		
P2P	Support (QR Code)	
Password Protection	Support	

Network Protocol	RTSP/FTP/PPPOE/DHCP/DDNS/NTP/UPnP/ONVIF
Intelligent Alarm	Motion detection, Network disconnect, IP address conflict
System Compatibility	COP, ONVIF
Interface	
Network Interface	RJ45 10/100M Adaptive Ethernet Interface
PoE	Optional (IEEE802.3af)
Audio Processing	Optional (G.711)
Audio-In	1 x RCA
Audio-Out	1 x RCA
General	
IR Leds	High Power Led 3pcs
IR Range	Up to 40m
Casing	Aluminum
Protection	IP66 Water proof
Power Supply	PoE or DC12V
Working Temperature	-10°C ~ 60°C
Working Humidity	90% or less
Weight	315g